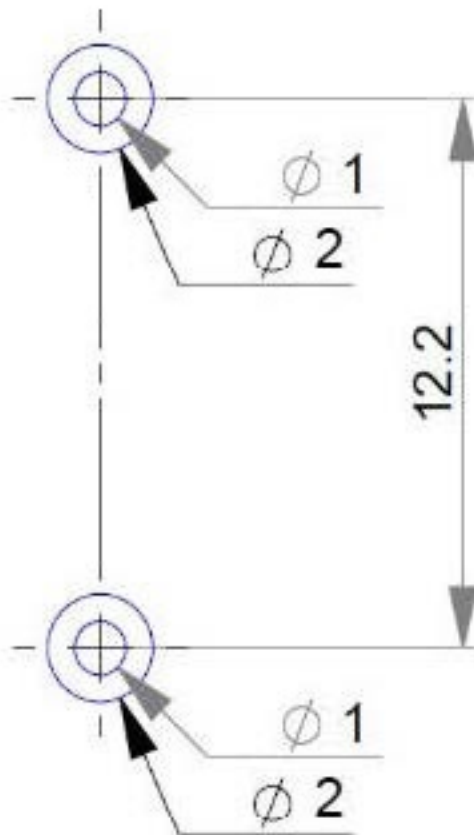


MOUNTING PINS



SUGGESTED PCB LAYOUT