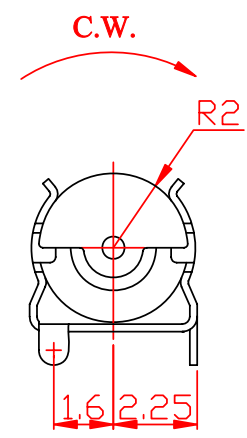
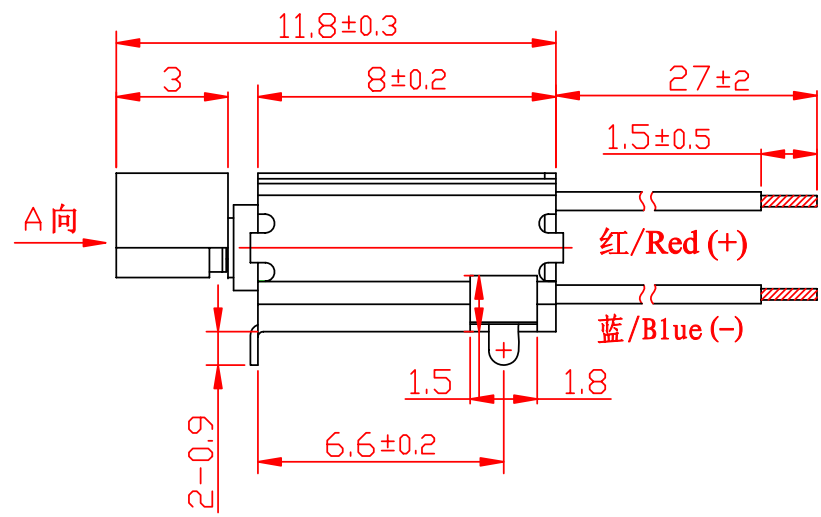
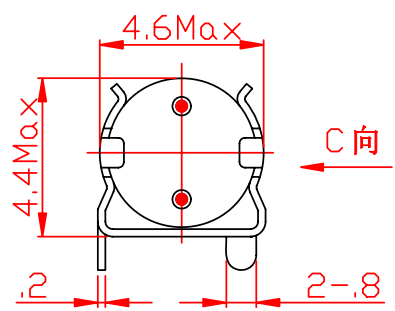
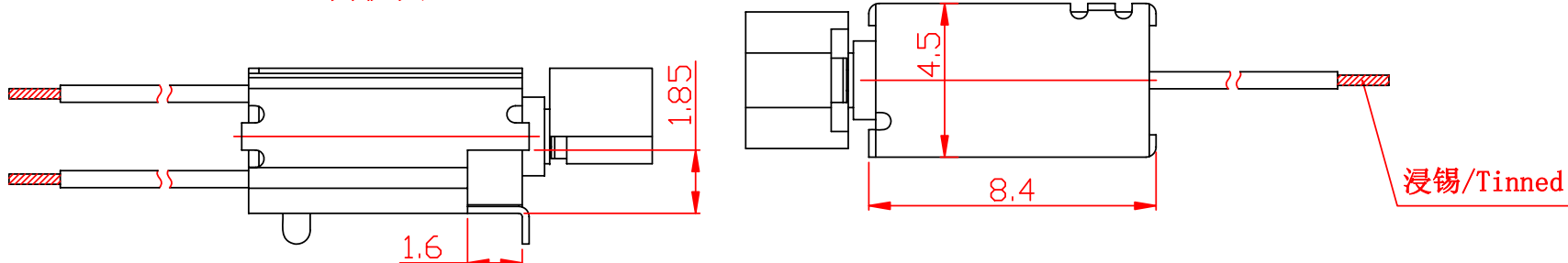


C 向视图



- 技术要求/Technic requirement
- 1.额定电压/Rated voltage:3.0V
 - 2.额定电流/Rated current:90mA Max
 - 3.额定转速/Rated speed:14000 ± 2500rpm
 - 4.堵转电流/Stall current:125mA Max
 - 5.端子阻抗/Terminal resistance:30Ω(±20%)
 - 6.起动电压/Starting voltage:2.0V Max
 - 7.轴向间隙/Shaft end play:0.05~0.2mm
 - 8.导线规格/Lead spec: AWG32 UL1571
 - 9.所有尺寸为A向压紧后的尺寸(不包括轴向间隙)
/Overall length is measured after counterweight being pressed against body in direction A. (Shaft end play is not included.)
 - 10.未注线性公差为/Unmarked tolerance: ± 0.1mm

借(通)用件登记

底图总号

签字

日期

| 标记 | 处数 | 分区 | 更改文件号 | 签名 | 日期 |
|----|----|----|-------|----|----|
| 设计 | | | 标准化 | | |
| 校对 | | | | | |
| 审核 | | | | | |
| 工艺 | | | 批准 | | |

| | | | | | |
|------------------|--|-----|------|----|-----|
| www.vybronic.com | | | 阶段标记 | 重量 | 比例 |
| | | | | | 5:1 |
| 共 页 | | 第 页 | | | |

Vybronic

外形图

VZ4TL2B037154E