



# 产品规格书

PRODUCT SPECIFICATION

客户名称Buyer Name	
客户料号Buyer Part No.	
客户承认签章 Buyers Approval & Signatures	

文件编号Spec No.		版本	A/1
品名描述 Product Description	圆柱直流马达 Cylindrical DC motor		
型号Part No.	VZ4TH1B0020311		
送样日期Date			
设计Designed by	审核Checked by	批准Approved by	
2020.07.01	2020.07.01	2020.07.01	

Vybronic

[www.vybronic.com](http://www.vybronic.com)

[info@vybronic.com](mailto:info@vybronic.com)

**1. 适用范围/General**

本说明书适用于圆筒式永磁直流电机 VZ4TH1B0020311 型

This specification applies to cylindrical permanent-magnetic motors DC model VZ4TH1B0020311

**2. 使用条件/Operating condition**

项目/Item	规格/Specification	条件·备注/Condition remark
2-1 额定电压 Rated voltage	3.0V DC	
2-2 额定负荷 Rated load	振子 Vibration weight	见外形图 As specified in outline drawing
2-3 旋转方向 Rotation	CW/CCW(clockwise or anticlockwise)	
2-4 马达位置 Motor position	全方位 All position	
2-5 使用电压范围 Operating voltage	2.2~3.6V DC	
2-6 使用环境 Operating environment	-30~70°C, Ordinary Humidity	无水气凝结 No condensation of moisture
2-7 保存环境 Storage environment	-40~80°C, Ordinary Humidity	无水气凝结 No condensation of moisture

**3. 测定条件/Measuring condition**

项目/Item	规格/Specification	条件·备注/Condition remark
3-1 温度 Temperature	20±2°C	
3-2 湿度 Humidity	(63%~67%) RH	
3-3 位置 Motor position	轴向水平 Motor shaft horizontal	将马达固定在试验台上 Lock the motor in a test fixture

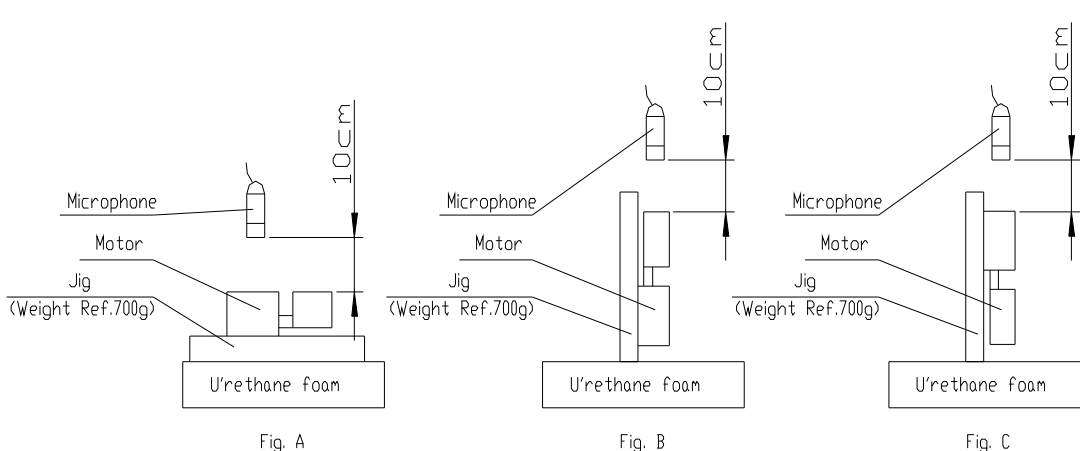
所有数据都是在温度 20°C，湿度 65% 的条件下测得的。判定有异议时，在温度 5~35°C、湿度 45~85% 的范围内测试。

All data are based on the measurement under the temperature of 20°C and humidity 65%RH. however. the ranges of temperature 5~35°C and humidity 45~85%RH are to be applicable as long as no problems

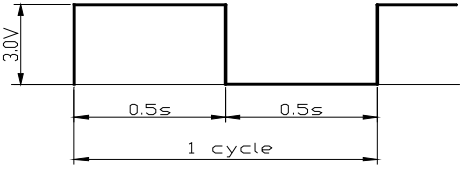
**4. 机械要求/Mechanical specification**

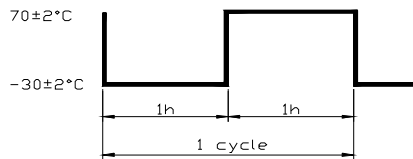
项目/Item	规格/Specification	条件·备注/Condition remark
4-1 结构 Configuration	见 Item 10. 外形图 As specified in outline drawing	Outline drawing No: VZ4TH1B0020311
4-2 外观 Appearance	不含有机械损坏及不充分的浸蚀等。 There shall be no evidence of mechanical damage and shall not have inadequate corrosion and so on	目测（容许范围根据样品外形） Visual examination(allowable extent is based on boundary sample)
4-3 轴向间隙 Shaft end play	0.05mm~0.2mm	

**5.性能特征/Performance and characteristics**

项目/Item	规格/Specification	条件·备注/Condition remark
5-1 额定转速 Rated speed	12,000±2500rpm	在额定电压和额定负载(振子)下。 At rated voltage and rated load (vibration weight).
5-2 额定电流 Rated current	100 mA Max	
5-3 堵转电流 Stall current	130 mA Max	在额定电压下 At rated voltage
5-4 起动电压 Starting voltage	2.0V DC Max	在额定负载(振子)下电枢的任意位置。 At rated load (vibration weight) any position of rotor.
5-5 绝缘电阻 Insulation resistance	1MΩ Min	在 100V 直流下, 端子和机壳间 At DC 100V between Terminal and case.
5-6 端子阻抗 Terminal resistance	29Ω (±20%)	在 20℃ 下 At 20℃
5-7 机械噪音 Mechanical noise	小于 50 分贝.A 计权 50dB(A)Max	<p>在额定电压、额定负载(振子)下。 At rated voltage and rated load (vibration weight). 背景噪音: 不大于 28dB.A 计权 Back ground noise 28dB(A) Max 测试仪器: B&amp;k Measuring instruments: B&amp;k 夹具重量: 700g Weight of jig:700g</p> 

**6. 可靠性/Reliability**

项目/Item		规格/Specification						判定标准/Judgment	
6-1	寿命 Life							试验后, 马达应符合项 7-1 的要求。 After the test, motors shall be approved as specified in item 7-1.	
		位置 Position	电压 Volt	负荷 Load	温度 Temp	湿度 Humi	寿命 Life		
		轴水平 Horizon	额定 Rated	重量 Weight 振子	20°C	65%	200,000 Cycles		
6-2	低温放置 Low temp exposure	温度 /Temperature : -40±2°C 时间 /Time : 96h							在常温常湿下放置 2h 后, 马达应符合项 7-2 的要求。 After 2 hours exposure in ordinary temperature and humidity, Motors shall be approved as specified in item 7-2.
6-3	高温放置 High temp. Exposure	温度 /Temperature : 80±2°C 时间 /Time : 96h							
6-4	湿度放置 Humidity exposure	温度 /Temperature : 40±2°C 湿度 /Humidity : 90~95%RH 放置时间 / Exposure time : 96h 无水气凝结/No condensation of moisture							
6-5	振动 Vibration	全振幅 /Displacement : 1.5mm (p-p) 频率 /Frequency : 10 ~ 55Hz 周期 /Period : 1min 范围内 (10~55~10Hz) /20 Minutes log sweep (10~55~10Hz) 方向 /Direction : x、y、z 时间 /Time : 每 2h /Each 2 hours							测试结果应符合项 7-2 的要求。 After the test motors shall be approved as specified in item 7-2.
6-6	自然跌落 Free fall	试验状态/Test state: 将马达固定在约 100 克 (包括马达本身) 的物体上, 落向水泥地面。 Set the motor to the approximately 100g (include the motor) weight of block drop the motor on the concrete floor. 高度 /Height : 1.5m 方向 /Direction : ±x, ±y, ±z 次数 /Number of times: 每个方向 2 次 /Each 2 times							测试结果应符合项 7-2 的要求。 After the test motors shall be approved as specified in item 7-2.

6-7	热冲击 Heat shock test	 <p>试验循环 /Test cycle :20 cycles</p>	在常温常湿下放置 2h 后，马达应符合项 7-2 的要求。 After 2 hours exposure in ordinary temperature and humidity, Motors shall be approved as specified in item 7-2.
-----	------------------------	--	--

**7. 要求/Requirements**

项目/Item		判定基准 / Requirements	
7-1	表 A Table A	1)额定转速/Rated speed 2)额定电流/Rated current 3)起动电压/Starting voltage	:不低于初始值-30%; 不高于初始值+60% data-30% Initial Min data+60% Initial Max :不大于初始值±30%/Initial data±30% max :不大于 2.4V 直流电压 2.4V DC Max
7-2	表 B Table B	1)额定转速/Rated speed 2)额定电流/Rated current 3)起动电压/Starting voltage	: 不大于初始值±30%/Initial data±30% Max :不大于初始值±30%/Initial data±30% Max :不大于 2.4V 直流电压 2.4V DC Max

**8.使用时注意事项/Matters to be paid attention to when using motor**

8-1 电机在运输过程中应小心轻放，避免严重碰撞敲击引起的电机机身和性能受损。

(Please lay the motors carefully in transportation to avoid any serious damage to the motor body or its electric function because of collision.)

8-2 必须按照规格书的标准使用，否则会影响电机寿命。

(Please use the motor according to the instruction of this product specification, or else, it will be bad for motor's life.)

8-3 请在 6 个月内使用，请不要在高温、低温、高湿环境下存储。在使用和打开马达外包装时请避免水气凝结。

(Make arrangement to limit the storage period to 6 months or less. Please do not store motor in high temperature. Low temperature. high humidity environment. Condensation of atmosphere must be avoided in motor usage or opening the packaging of the motor.)

8-4 马达应适当的操作、储存和运转环境中均不可存在腐蚀性气体。例如： $H_2S$ 、 $SO_2$ 、 $NO_2$ 、 $CL_2$  等。另外存储环境中不可有诸如硅、氰、甲醛水和苯酚等能放射出腐蚀性气体的物质，在电机的机械构造或装置中，如果存在腐蚀性气体，那么这会引起马达不运转。

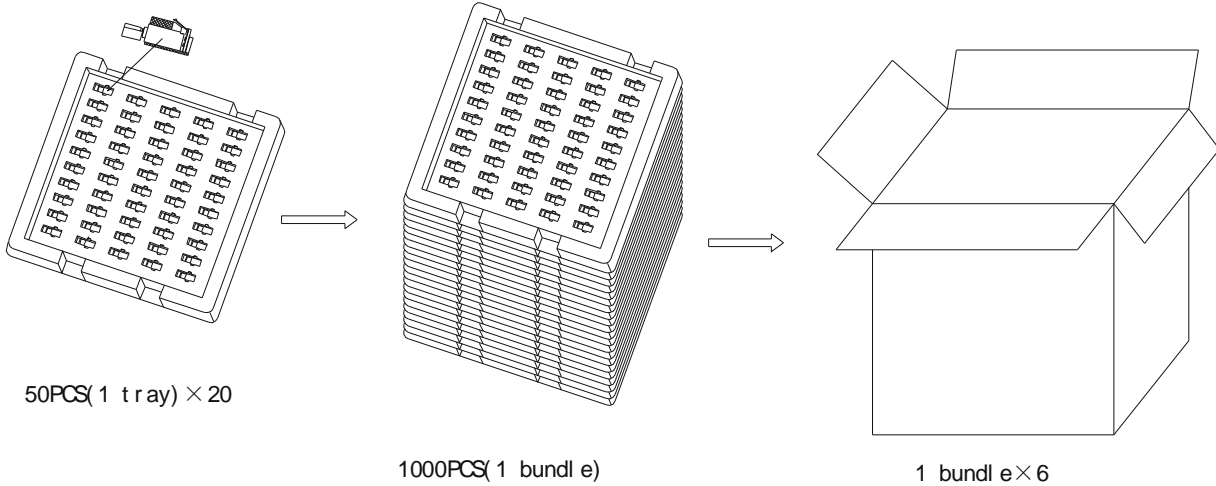
(For proper operation. storage and operating environment must not contain corrosive gases. For example  $H_2S$ .  $SO_2$ .  $NO_2$ .  $CL_2$ . etc. In addition storage environment must not have materials that emit corrosive gases especially from silicon. cyanic. formalin and phenol group. In the mechanism or the set. existence of corrosive gases may cause no rotation in motor.)

8-5 请通电后不要长时间堵住机轴，并且马达转动时不要触碰振子。

(Please don't stall the shaft for a long time after powering, and not to touch the weight when motor is rotating.)

8-6 马达轴向间隙处不应有杂物（如颗粒、纤维物、头发、胶带、胶水等）

(There should be no sundries (such as grain, fibre, hair, small tape, glue etc.) in the shaft end play.)

**9. 包装/Packaging**
**圆柱马达包装图  
Pack drawing of cylindrical type**


包装试验要求/ Package Test Requirement:  
标准/ Criterion:

1. 整箱重量小于等于9kg的, 跌落高度设定为75cm.  
/ The weight of the whole carton less than 9kg, the dropping height is 75cm.
2. 整箱重量大于9kg但小于等于23kg的, 跌落高度设定为60cm.  
/ The weight of the whole carton more than 9kg and less than 23kg, the dropping height is 60cm.

试验方法/ Test Methods:

跌落要求为六面三棱一角./ Dropping requirement is 6 faces, 3 arris, 1 angle.

六面: 先从最大两面跌, 然后是中间大小的两面, 最后跌最小的两面, 一共六次。

/ 6 faces: First dropping with two biggest faces, then dropping with another two middle faces, at last dropping with two smallest faces, once per face, total 6 faces.

三棱: 指任选三条同一角的棱, 跌落秩序: 最长棱, 中间长度, 最短的, 一共三次。

/ 3 arris: Choose any 3 arris which make up of the same the angle, the dropping sequence is the longest arris, middle arris, shortest arris. Total 3 times.

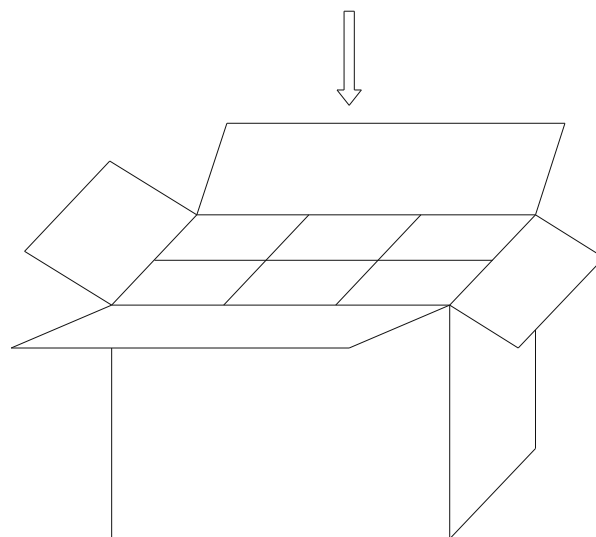
一角: 指上一步三条棱所组成的角, 跌落一次。

/ 1 angle: Point to the angle which is made up with the 3 arris in the above step, Dropping for 1 time.

判定基准/ Judgement Criterion:

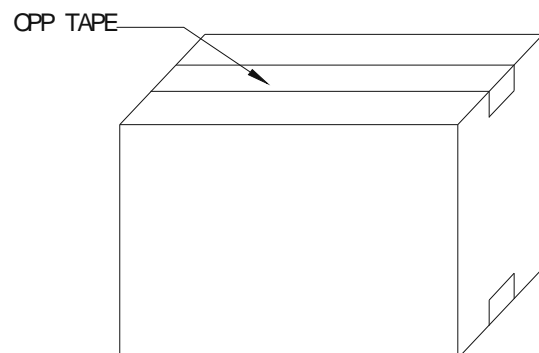
经过跌落试验后, 产品外观、性能无不良。

/ After drop test, no evidence of damage on the appearance and performance.



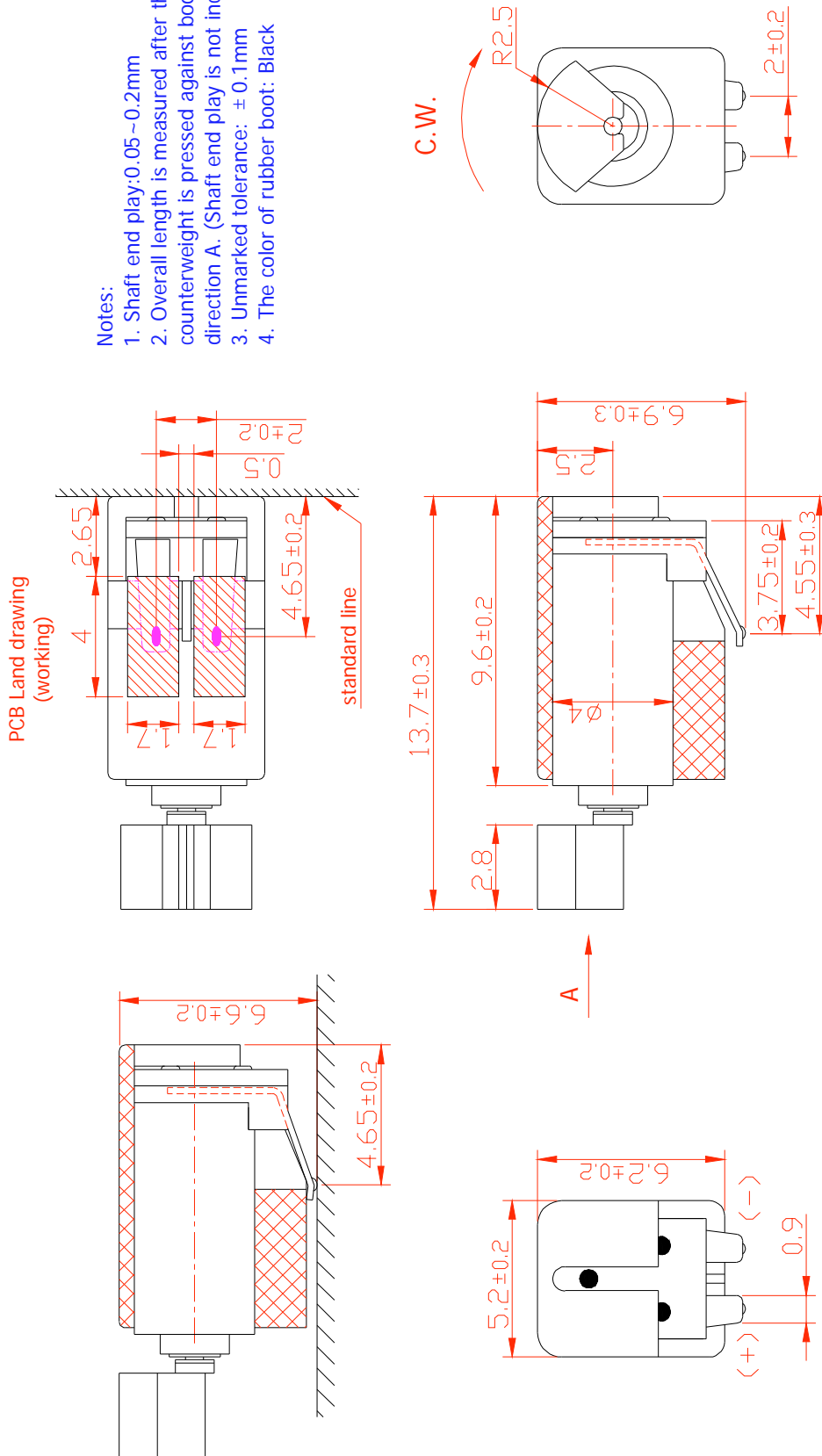
Remarks:

6000PCS/ CTN 52cm× 35cm× 22cm



10. 外形图/Outline Drawing

- Notes:
1. Shaft end play: 0.05 ~ 0.2mm
  2. Overall length is measured after the counterweight is pressed against body in direction A. (Shaft end play is not included.)
  3. Unmarked tolerance: ± 0.1mm
  4. The color of rubber boot: Black





## 11. 修改记录/ Revision History

修改号 Rev. No.	日期 Rev. Date	页码 Page No.	修改项目 Revised Item	更改原因 Reason
A/0	2006.02.14	/	产品颁布/ Release for Production	
A/1	2020.07.01	/	changed company name from JINLONG MACHINERY to VYBRONICS, changed part # from Z4TH1B0020311 to VZ4TH1B0020311	Rebranding