



产品规格书

PRODUCT SPECIFICATION

客户名称Buyer Name	
客户料号Buyer Part No.	
客户承认签章 Buyers Approval & Signatures	

文件编号Spec No.		版本	A/2
品名描述 Product Description	无刷直流振动马达 BLDC Vibration Motor		
型号Part No.	VW0625AB001G		
送样日期Date			
设计Designed by	审核Checked by	批准Approved by	
			
2023.04.05	2023.04.05	2023.04.05	

www.vybronic.com

sales@vybronic.com

NO	ITEM	Page
1	Revision History	3
2	Scope	4
3	Contents	4
4	Standard Test Condition	4
5	Judgment Environmental Condition	5
6	Test Tolerance	5
7	Electrical Characteristics	5
8	Mechanical Characteristics	6
9	Graph Characteristic Graph	6
10	Reliability Test	7~8
11	Caution	9
12	Specification Change	10
13	Drawing	11

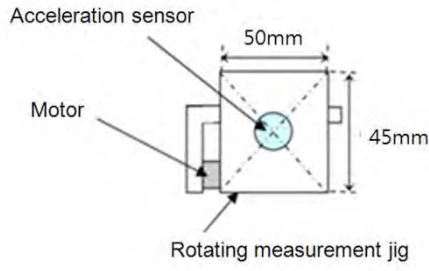
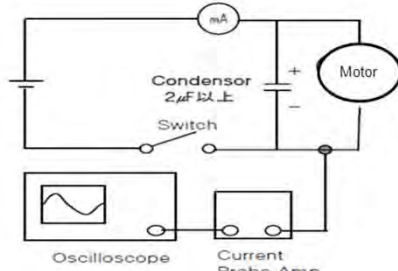
2. Scope

This specification is applies to VW0625AB001G vibration motors to be used for mobile telephone or IT devices.

3. Contents

No.	Item	Specification
3-1	Operating Voltage Range	DC 2.7V ~ 3.3V
3-2	Storage Temperature Range	(-)40 ~ (+)85℃ There should be no condensation
3-3	Operating Temperature Range	(-)20 ~ (+)60℃ There should be no condensation
3-4	Operating Position	All Direction

4. Standard Test Condition

No.	Item	Specification
4-1	Temperature	20±3℃
4-2	Humidity	65%±20% RH
4-3	Measurement Voltage	DC3.0V
4-4	<div style="display: flex; justify-content: space-around; align-items: flex-start;"> <div style="text-align: center;">  <p>Acceleration sensor</p> <p>Motor</p> <p>Rotating measurement jig</p> <p>50mm</p> <p>45mm</p> </div> <div style="text-align: center;">  <p>mA</p> <p>Condensor 2μF以上</p> <p>Switch</p> <p>Motor</p> <p>Oscilloscope</p> <p>Current Probe Amp.</p> </div> </div> <div style="display: flex; justify-content: space-around; margin-top: 10px;"> <div style="border: 1px solid black; background-color: #e0f0e0; padding: 5px; width: 45%;"> <p style="text-align: center;">Standard Measurement State</p> </div> <div style="border: 1px solid black; background-color: #e0f0e0; padding: 5px; width: 45%;"> <p style="text-align: center;">Inspection Circuit Diagram</p> </div> </div> <ul style="list-style-type: none"> - Jig : 50x46x45mm [Material is POM] - Weight: 150g - The vibrator is Clamped firmly (0.5~1Kg pressure) on a test fixture 	

5. Judgment Environmental Condition

NO	Item	Condition
5-1	Temperature	20±3℃
5-2	Humidity	65%±20%RH

6. Test Tolerance

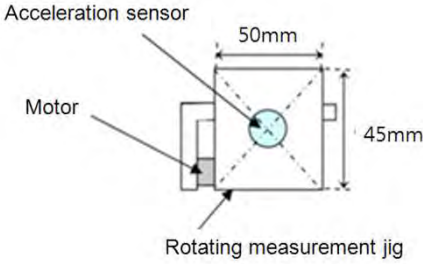
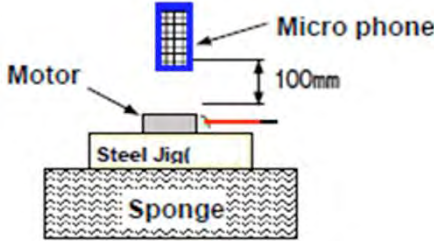
Test set-ups and equipment shall be capable of maintaining following condition, unless otherwise specified.

NO	Item	Condition
6-1	Room Temperature & Humidity	20±15℃/65±20%RH
6-2	Test Chamber Temperature	Limits ±3℃
6-3	Voltage	Limits ±0.15V

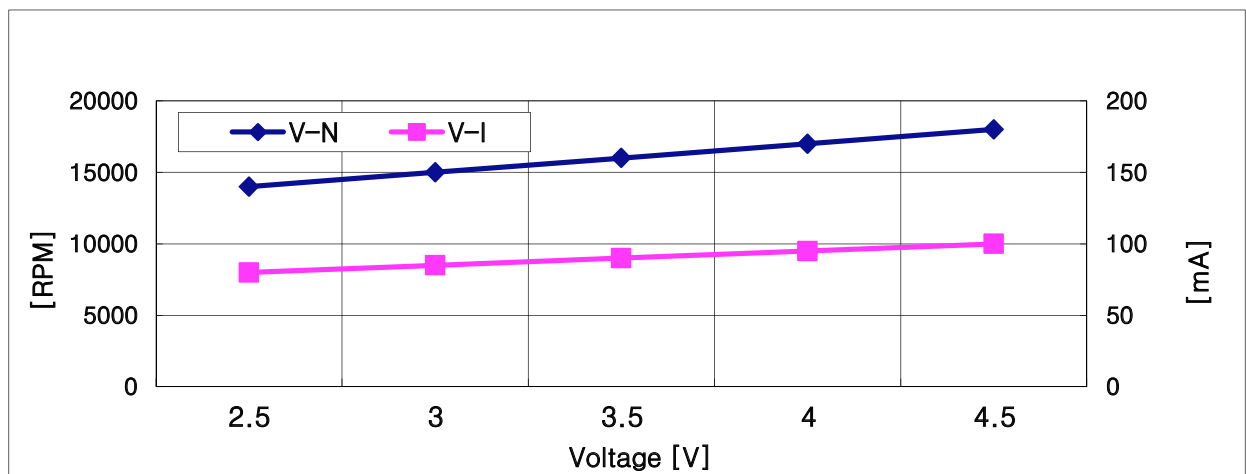
7. Electrical Characteristics

No	Item	Test Condition	Condition
7-1	Rated Voltage		DC 3.0V
7-2	Rotating Direction	CW [Lead Wire Red(+), Black or Blue(-) CW [Lead Wire Red to (+), Black or Blue to (-)	CW
7-3	Rated Load Speed	It is based on the standard measurement condition of the section 4.	15,000 ± 3,000 rpm
7-4	Rated Load Current		90 mA max
7-5	Starting Current		175 mA max
7-6	Starting Voltage	Test based on the standard measurement condition of the section 4-1, 4-2, and 4-4.	DC 2.5 V max
7-8	Insulation Voltage	Measured between terminal and case with DC100V Megger.	10 MΩ min

8. Mechanical Characteristics

NO	Item	Specification	Condition
8-1	Vibration Force	<ul style="list-style-type: none"> - 50x46x45mm [Material is POM] - Weight : 150g -The vibrator is Clamped firmly (0.5~1Kg pressure) on a test fixture, 	It is referred to the rated load speed of the section 7-3
8-2	Mechanical Noise	<ul style="list-style-type: none"> - Motor shall be fixed on Jig by adhesive tape - Jig Material 	50dB MAX * 24dB
8-3	Weight		about 0.90g

9. Graph. Characteristic Graph



10. Reliability Test

NO	Item	Test Condition			Specification	
10-1	Life Test	Item	Room Temp. & Humi. L/T	High Temp. & Humi. L/T	-Rated Load Speed: Initial value +40, -20% Or within rated load speed -Rated Load Current: Initial value ±30%	
			Voltage	DC 3.0V		DC 3.0V
		Temperature	20±15℃	40℃		
10-2			Humidity	65±20% RH		90% RH
			Life cycles	1,000,000 cycles		300,000 cycles
			Duty Cycle	0.5 sec ON / 0.5 sec OFF		0.5 sec ON / 0.5 sec OFF Motor shall be fixed on Jig by adhesive tape. (Refer to the section 4-4)
10-3	Composite Test	.Conduct the continuous running for 10 hours as following Then storage at 60℃ 90% for 500hours				
10-4	Low Temperature Storage Performance	Exposed to -40℃ for 500 hours and then room temperature for 4 hours.			(Rated Load Speed: Initial value ±20%, or within rated load speed)	
10-5	High Temperature Storage Performance	-Exposed to +85℃, 60%RH for 500 hours and then room temperature for 4 hours.			(Rated Load Current: Initial value ±30%)	
10-6	High Temperature and Humidity Storage Performance	-Exposed to +60℃, 90%RH for 500 hours and then room temperature for 4 hours.				

10. Reliability Test

NO	Item	Test Condition	Specification
10-7	Thermal Shock Test	Total 200cycles at -40℃ and +85℃ for 30min each (1cycle=1 H) - Temperature Change Time < 5min - Motor shall be measured after exposure at room temperature for 4 hours.	(Rated Load Speed: Initial value ±20%, or within rated load speed) (Rated Load Current: Initial value ±30%)
10-8	Drop Test	Dummy set (about 100g) motor shall be dropped Onto concrete plate. 3times each side of 6 directions from a height of 150 cm, total 18 times.	
10-9	Vibration Test	Standard-packed motor is subjected to sine wave 10Hz~55Hz. X, Y, Z directions for 2 hours each, total 6 hours.	

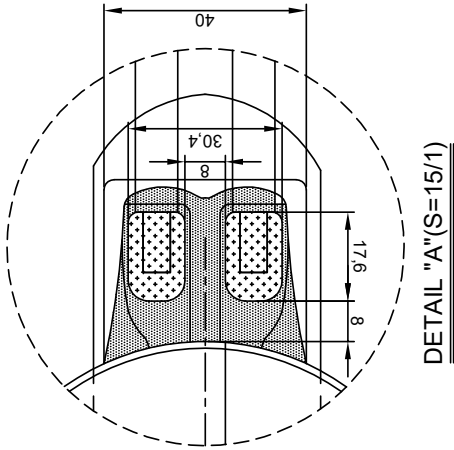
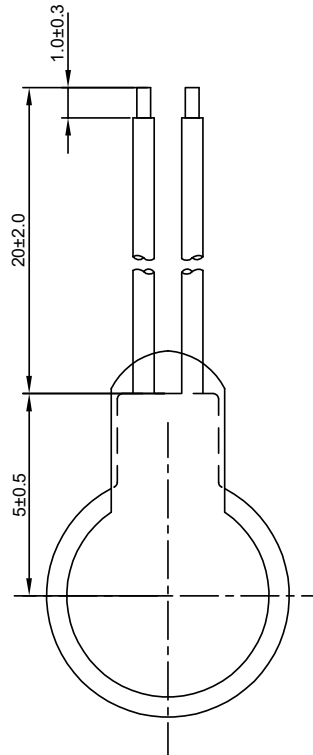
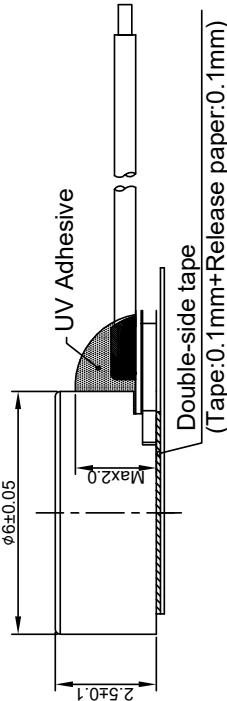
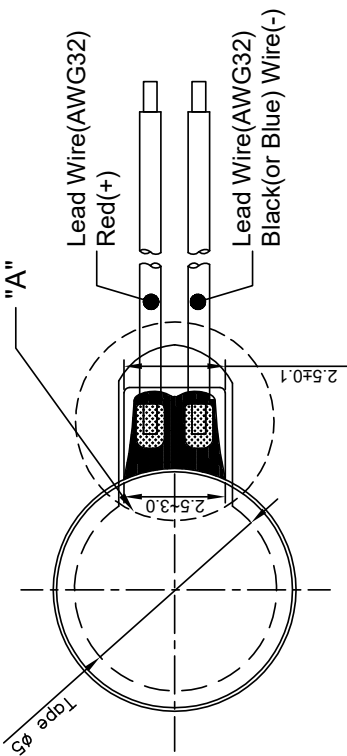
11. Caution

NO	Item	Specification
11-1	Operating Range	-When using on the operating condition different from a standard, a problem can be generated to the performance and the life of a product.
11-2	Storage	- Avoid from placing motor for long term of six months under environmental condition of high temperature or extreme humidity, or motor may be deteriorated.
11-3	Motor Handling	<p>To handle the motor, hold the case softly.</p> <p>.</p> <p>.</p> <p>Do not bring a magnetized object or attracted object by the magnet of motor, or such object may deteriorate a performance of motor.</p> <p>Input short to the motor due to mis-operating, Drive IC of the motor inside can be damaged. To avoid this problem, please add capacitor of 2uF or more between the power lines in parallel with the motor.</p> <p>Supplying voltage more than DC4.5V can make IC out of function.</p>
11-4	Motor Usage	- Motor must be installed in device within 6 months of our ship date. For best reliability, it is recommended that the motor be exercised by powering it up for 3 seconds when the device is powered on.

12. Specification Change

Even when there is any change to this specification, change application report which has the information of details


- of the change, lot of product, and etc shall be presented to customer before that change being carried out.
- And mutual discussion may be necessary before the change being carried out. Revision history shall be recorded on to the specification sheet when the change record and approval may be required.



DETAIL "A"(S=15/1)

SPECIFICATION

1. RATED VOLTAGE : DC 3.0V
2. RATED CURRENT : 90 mA Max
3. SPEED : 15,000±3,000 RPM
4. STARTING VOLTAGE : DC 2.5V Max
5. DIRECTION OF ROTATION : CW

REV	NO.	CONTENTS	ENGINEER	APPROVER	DATE(yymmdd)																																																																																				
	3																																																																																								
	2																																																																																								
	1																																																																																								
<table border="1"> <tr> <td>LEAD WIRE</td> <td>AWG32</td> <td>1</td> <td></td> <td></td> <td></td> </tr> <tr> <td>RUBBER</td> <td>SILICON</td> <td>1</td> <td></td> <td></td> <td></td> </tr> <tr> <td>Vibrator</td> <td></td> <td>1</td> <td></td> <td></td> <td></td> </tr> </table>						LEAD WIRE	AWG32	1				RUBBER	SILICON	1				Vibrator		1																																																																					
LEAD WIRE	AWG32	1																																																																																							
RUBBER	SILICON	1																																																																																							
Vibrator		1																																																																																							
<table border="1"> <tr> <th>NO.</th> <th>PART NO.</th> <th>PART NAME</th> <th>MATERIAL</th> <th>QTY</th> <th>FINISH</th> <th>REMARK</th> </tr> <tr> <td colspan="7">UNLESS OTHERWISE SPECIFIED, DIMENSIONS ARE IN MILLIMETERS, AND TOLERANCES ARE AS FOLLOWS:</td> </tr> <tr> <td colspan="7">GENERAL TOLERANCES</td> </tr> <tr> <td>m/m</td> <td>0.2</td> <td></td> <td></td> <td></td> <td></td> <td></td> </tr> <tr> <td colspan="3"></td> <td>UNIT</td> <td>SCALE</td> <td>SHEET</td> <td></td> </tr> <tr> <td colspan="3"></td> <td>mm</td> <td>A4</td> <td>1/1</td> <td></td> </tr> <tr> <td colspan="3"></td> <td>DESIGNED</td> <td>DATE (Y/M/MDD)</td> <td>PART NAME</td> <td></td> </tr> <tr> <td colspan="3"></td> <td></td> <td>2019.2.19</td> <td>VW0625AB001G</td> <td></td> </tr> <tr> <td colspan="3"></td> <td>CHECKED</td> <td>DATE (Y/M/MDD)</td> <td></td> <td></td> </tr> <tr> <td colspan="3"></td> <td>APPROVED</td> <td>DATE (Y/M/MDD)</td> <td></td> <td></td> </tr> <tr> <td colspan="3"></td> <td></td> <td></td> <td></td> <td>BLDC COIN MOTOR</td> </tr> <tr> <td colspan="3"></td> <td></td> <td></td> <td></td> <td>DRAWING NO.</td> </tr> </table>						NO.	PART NO.	PART NAME	MATERIAL	QTY	FINISH	REMARK	UNLESS OTHERWISE SPECIFIED, DIMENSIONS ARE IN MILLIMETERS, AND TOLERANCES ARE AS FOLLOWS:							GENERAL TOLERANCES							m/m	0.2									UNIT	SCALE	SHEET					mm	A4	1/1					DESIGNED	DATE (Y/M/MDD)	PART NAME						2019.2.19	VW0625AB001G					CHECKED	DATE (Y/M/MDD)						APPROVED	DATE (Y/M/MDD)									BLDC COIN MOTOR							DRAWING NO.
NO.	PART NO.	PART NAME	MATERIAL	QTY	FINISH	REMARK																																																																																			
UNLESS OTHERWISE SPECIFIED, DIMENSIONS ARE IN MILLIMETERS, AND TOLERANCES ARE AS FOLLOWS:																																																																																									
GENERAL TOLERANCES																																																																																									
m/m	0.2																																																																																								
			UNIT	SCALE	SHEET																																																																																				
			mm	A4	1/1																																																																																				
			DESIGNED	DATE (Y/M/MDD)	PART NAME																																																																																				
				2019.2.19	VW0625AB001G																																																																																				
			CHECKED	DATE (Y/M/MDD)																																																																																					
			APPROVED	DATE (Y/M/MDD)																																																																																					
						BLDC COIN MOTOR																																																																																			
						DRAWING NO.																																																																																			
																																																																																									
UNLESS OTHERWISE SPECIFIED																																																																																									