

NOTES:

1. MATERIAL IS Halogen Free PLASTIC, HIGH TEMP. UL 94V-0, COLOR: BLACK
2. SPEC. PLS. REFER TO PS-50269-xxxx

3. PART NUMBER

50270-XXX H X X X-XXX

NO OF CKTS: XXX  
Polarization: 001  
0: NONE

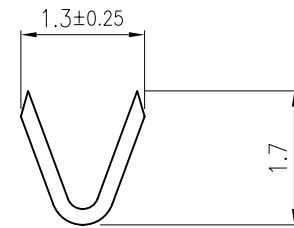
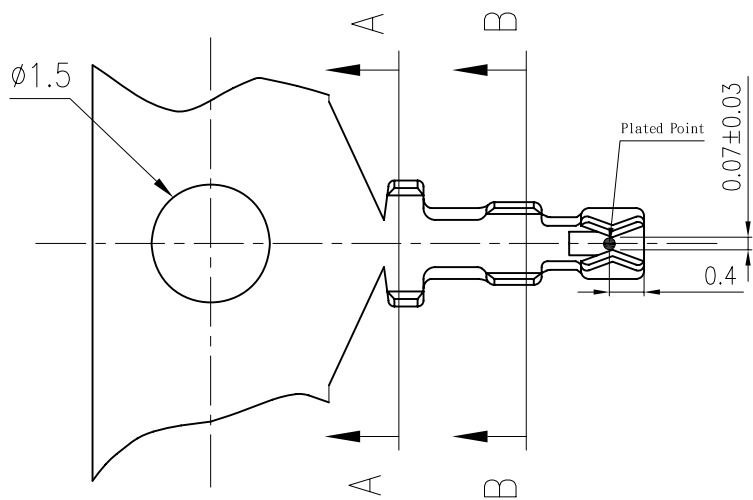
COLOR: 1: BLACK, 0: White or Natural

MATERIAL: H: NYLON 66

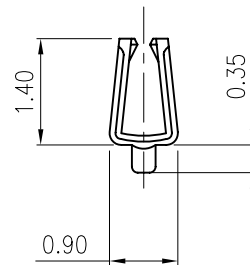
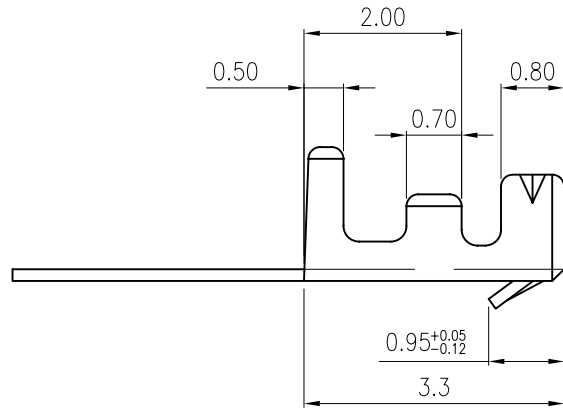
XXX	Halogen Free
001	<b>HF</b>

CKT	Dim A	Dim B	DimC	DimD
2	1.2	3.1	2.6	0.6
3	2.4	4.3	3.8	1.2
4	3.6	5.5	5.0	0.6
5	4.8	6.7	6.2	1.2
6	6.0	7.9	7.4	0.6
7	7.2	9.1	8.6	1.2
8	8.4	10.3	9.8	0.6
9	9.6	11.5	11.0	1.2
10	10.8	12.7	12.2	0.6
11	12.0	13.9	13.4	1.2
12	13.2	15.1	14.6	0.6
13	14.4	16.3	15.8	1.2
14	15.6	17.5	17.0	0.6
15	16.8	18.7	18.2	1.2

一般公差 <b>TOLERANCES</b> X ±0.5 XX ±0.15 X ±0.25 XXX ±0.1 ANGLES ±2°		<b>宏致電子股份有限公司</b> <b>Aces Electronic Co.,Ltd.</b>	
檢驗尺寸標示 <b>SYMBOLS</b> (C) (M) INDICATE CLASSIFICATION DIMENSION (C) MARK IS CRITICAL DIM. (M) MARK IS MAJOR DIM.	品名 (TITLE) 1.20mm WTB CONN. HOUSING 圖號 (DWG.NO) 50270-XXXHXXX-XXX	製圖 (DR) 12'/04/06 sky 審核 (CHKD) Sam 核准 (APPD) Jason	
表面處理 (FINISH)	比例 (SCALE) 8:1	單位 (UNITS) mm	張數 (SHEET) 1 OF 1 圖號 (DWG.NO) 50270-XXXHXXX-XXX



A-A SECTION



B-B SECTION

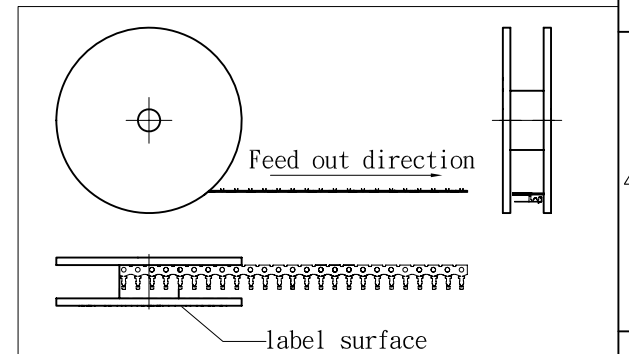
Note:

- TERMINAL
- Material: Phos. bronze
- Thickness: 0.15mm
- Plating: PLS. SEE ACES P/N LEGEND.
- Wire Range: Suitable for AWG#28~32
- Insulation O.D: 1.00mm (max)
- Q'TY: 10,000 pcs/roll

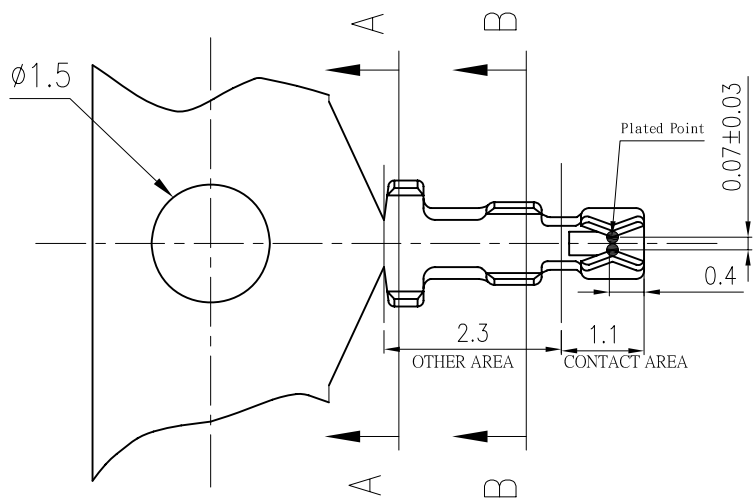
P/N LEGEND  
85206-T-X

PLATING:

- : Tin plated ( 60u" < Sn < 180u" )
- 4: Pure Tin for Lead Free ( 80u" < Sn < 180u" )
- 1: Gold Flash

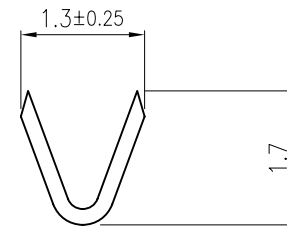


一般公差 <b>TOLERANCES</b> X ±0.5 .XX ±0.15 X ±0.25 .XXX ±0.1 ANGLES ±2°		<b>宏致電子股份有限公司</b> Aces Electronics Co.,Ltd.	
檢驗尺寸標示 SYMBOLS Ⓢ Ⓜ INDICATE CLASSIFICATION DIMENSION	品名 (TITLE) 1.25 mm Crimping Terminal	製圖 (DR) 13/03/09 CANDY	審核 (CHKD) SAM
Ⓢ MARK IS CRITICAL DIM. Ⓜ MARK IS MAJOR DIM.	圖號 (DWG.NO) <b>85206-T-X</b>	核准 (APPD) JASON	張數 (SHEET) 1 OF 2
表面處理 (FINISH)	比例 (SCALE) 單位 (UNITS) 1:1 mm		尺寸 (SIZE) REV A4 P



Note:

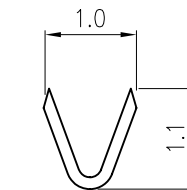
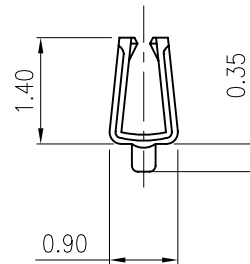
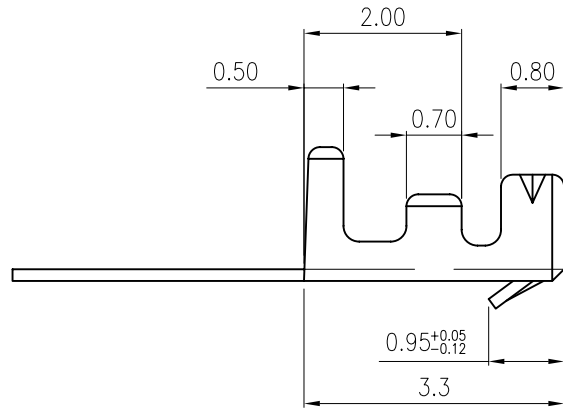
- TERMINAL
- Material: Phos. bronze
- Thickness: 0.15mm
- Plating: PLS. SEE ACES P/N LEGEND.
- Wire Range: Suitable for AWG#28~32
- Insulation O.D: 1.00mm (max)
- Q'TY: 10,000 pcs/roll



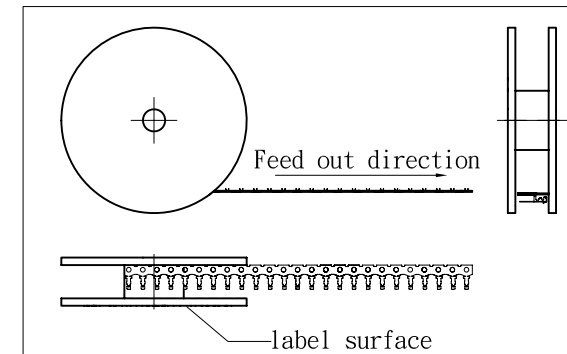
A-A SECTION

P/N LEGEND  
85206-T-X

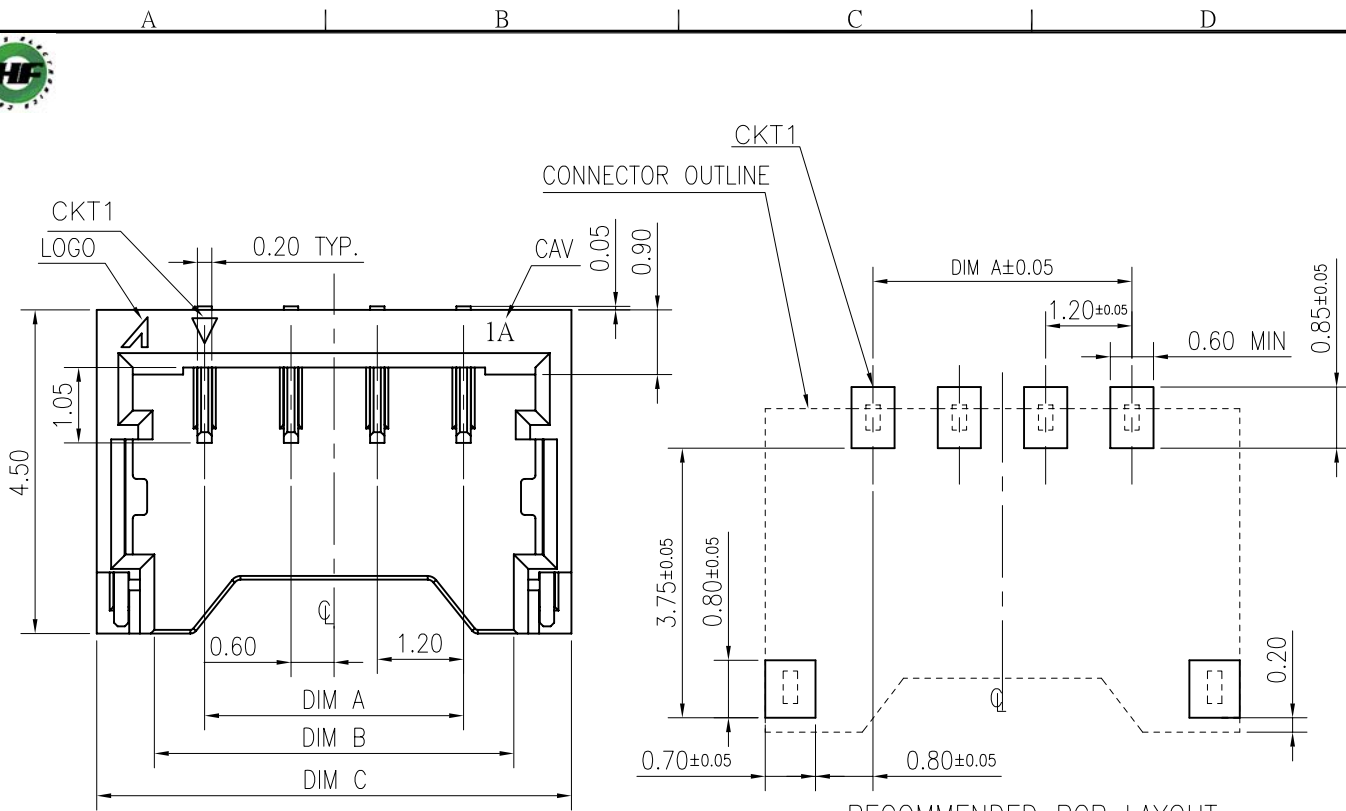
PLATING:  
50u" MIN NICKEL PLATING OVERALL  
C: 15u" MIN ON CONTACT AREA  
GOLD FLASH ON OTHER AREA



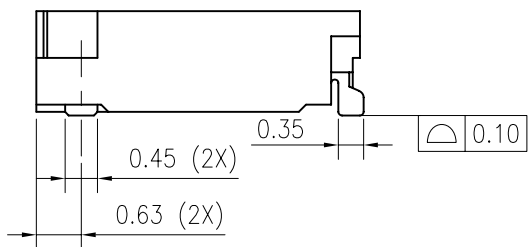
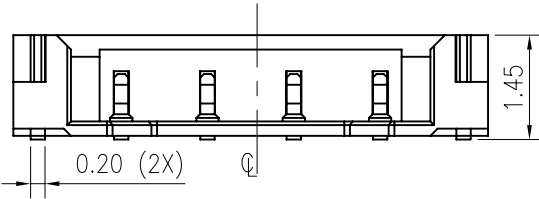
B-B SECTION



一般公差 <b>TOLERANCES</b> X ±0.5 .XX ±0.15 X ±0.25 .XXX ±0.1 ANGLES ±2°		<b>宏致電子股份有限公司</b> Aces Electronics Co.,Ltd.	
檢驗尺寸標示 SYMBOLS   INDICATE CLASSIFICATION DIMENSION	品名 (TITLE) 1.25 mm Crimping Terminal	製圖 (DR) 13/03/09 CANDY	
MARK IS CRITICAL DIM. MARK IS MAJOR DIM.	圖號 (DWG.NO) <b>85206-T-X</b>	審核 (CHKD) SAM	
表面處理 (FINISH)	比例 (SCALE) 單位 (UNITS) 1:1 mm	核准 (APPD) JASON	
		張數 (SHEET) 2 OF 2	尺寸 (SIZE) A4
			版次 (REV) P



RECOMMENDED PCB LAYOUT  
(GENERAL TOLERANCE ±0.05)

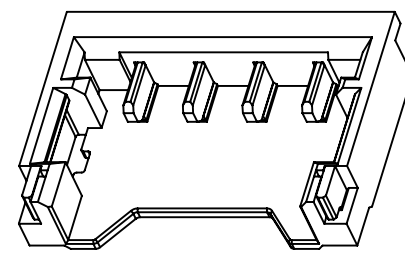


- NOTES:
- MATERIAL:
    - HOUSING: HALOGEN FREE PLASTIC, HIGH TEMP; UL94V-0.
    - CONTACT: COPPER ALLOY.
    - FITTING NAIL: COPPER ALLOY
  - FINISH:
    - TERMINAL CONTACT:
      - 50u" MIN. NICKEL UNDERPLATING OVERALL.
      - 1: GOLD FLASH ON CONTACT AREA AND SOLDER AREA
      - U: CONTACT AREA: 5u" GOLD PLATING
      - SOLDER AREA: GOLD FLASH
      - M: GOLD FLASH ON CONTACT AND SOLDER AREA FOR SELECTIVENESS PLATING
    - FITTING NAIL:
      - 50~100u" NICKEL UNDERPLATING OVERALL.
      - 100u" MIN. MATT TIN PLATING .
  - SPEC. PLS. REFER TO PS-50269-XXXX-XXX
  - PACKAGE PLS. SEE PART NUMBER
  - PART NUMBER

50269-XXX X X-XXX	XXX	PACKAGE	Material&Color
NO OF CKT	001	91223-XXXX-XX-TRP	HF PLASTIC & BLACK
PACKING	U01	91223-XXXX-07-TRP	HF PLASTIC & BLACK
0: TAPE & REEL			

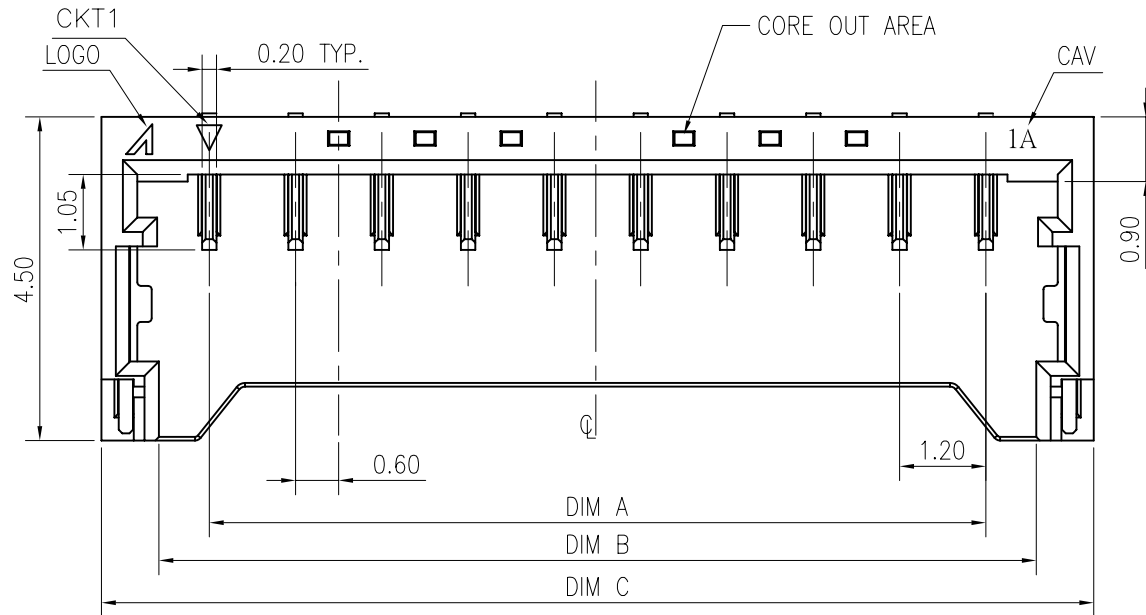
PLATING

- 1: GOLD FLASH
- U: CONTACT AREA: 5u" GOLD PLATING
- SOLDER AREA: GOLD FLASH
- M: GOLD FLASH ON CONTACT AND SOLDER AREA FOR SELECTIVENESS PLATING



CKT	Dim A	Dim B	Dim C
2	1.2	2.6	4.2
3	2.4	3.8	5.4
4	3.6	5.0	6.6
5	4.8	6.2	7.8
6	6.0	7.4	9.0
7	7.2	8.6	10.2
8	8.4	9.8	11.4
9	9.6	11.0	12.6
10	10.8	12.2	13.8

一般公差 TOLERANCES X ±0.5 XX ±0.15 X ±0.25 XXX ±0.1 ANGLES ±2°	宏致電子股份有限公司 Aces Electronics Co., Ltd.	
檢驗尺寸標示 SYMBOLS ① ② INDICATE CLASSIFICATION DIMENSION	品名 (TITLE) 1.2mm PITCH WT B WAFER CONNECTOR	製圖 (DR) 13/10/30 XIUJIN
① MARK IS CRITICAL DIM. ② MARK IS MAJOR DIM.	圖號 (DWG NO.) 50269-XXXX-XXX	審核 (CHKD) JERRY
表面處理 (FINISH)	比例 (SCALE) 1:1	核准 (APPD) JASON
	單位 (UNITS) mm	張數 (SHEET) 1 OF 2
		SIZE A4
		REV F



CORE OUT AREA OF 5PIN ~15PIN

一般公差 TOLERANCES X ±0.5    XX ±0.15 X ±0.25    XXX ±0.1 ANGLES    ±2°		宏致電子股份有限公司 Aces Electronics Co.,Ltd.	
檢驗尺寸標示 SYMBOLS   INDICATE CLASSIFICATION DIMENSION MARK IS CRITICAL DIM. MARK IS MAJOR DIM.	品名 (TITLE) 1.2mm PITCH WTB WAFER CONNECTOR	製圖 (DR) 13/10/30    XIUJIN	審核 (CHKD) JERRY
	圖號 (DWG NO.) 50269-XXXXX-XXX	核准 (APPD) JASON	
表面處理 (FINISH) _____	比例 (SCALE) 1:1	單位 (UNITS) mm	
		張數 (SHEET) 2 OF 2	尺寸 (SIZE) A4
			版次 (REV) F

Anthony Ngo  
Program Manager  
Email: anthony\_ngo@acesconn.com  
Office: (408) 834-7499 ext. 103 USA  
Cell: (408) 515-0726 USA  
or  
afeng@acesconn.com  
cindy\_peng@acesconn.com

## ACES WORLD WIDE OFFICES

<p>● <b>ACES Taiwan</b> No.13, Dongyuan Rd., Jhongli City, Taoyuan County 320, Taiwan(R.O.C.) Tel: +886-3-4632808 Fax: +886-3-4631800 Email: acesglobal@acesconn.com</p>	<p>● <b>ACES Dong Guan</b> Hong San Industrial Park, Xin An Community, Chang An Town, Dongguan City, Guangdong, China Tel: +86-769-8539-3066 Fax: +86-769-8539-7686 Email: acesglobal@acesconn.com</p>	<p>● <b>ACES Kun Shan (Changjiang Plant)</b> No. 468, Changjiang North Rd., Zhoushi Town, Kunshan City, China Tel: +86-512-57625599 Fax: +86-512-57625566 Email: acesglobal@acesconn.com</p>
<p>● <b>ACES Kun Shan (Qinyang Plant)</b> No. 578, Qinyang North Rd., Zhoushi Town, Kunshan City, China Tel: +86-512-57069168 Fax: +86-512-57065168 Email: acesglobal@acesconn.com</p>	<p>● <b>ACES Singapore</b> Aces Precision Industry Pte Ltd. 50, Serangoon North Ave 4 #01-02 First Centre Singapore 555856 TEL: +86-512-57069168 FAX: +86-512-57065168 Email: acesglobal@acesconn.com</p>	<p>● <b>ACES Chong Qing</b> No.26, Feilong Rd., Tongliang Industrial Park, Tongliang County, Chongqing City, China Tel: +86-023-4521-5888 Fax: +86-023-4521-5666 Email: acesglobal@acesconn.com</p>
<p>● <b>Aces Interconnect America Corp.</b> 860 Hillview Ct., Suite 260 Milpitas, CA 95035 Tel: +1-408-834-7499 Fax: +1-408-834-7611 Email: acesusa@acesconn.com</p>	<p>● <b>Aces Japan Co., Ltd.</b> 5th Floor, Tachikawanishikicho Bld., 1-8-7 Nishikicho, Tachikawa, Tokyo, 190-0022, Japan TEL: +81-42-595-7238 FAX: +81-42-595-7239 Email: acesglobal@acesconn.com</p>	